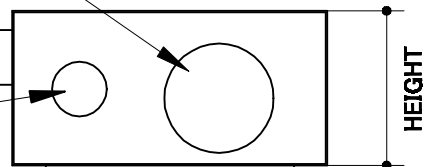


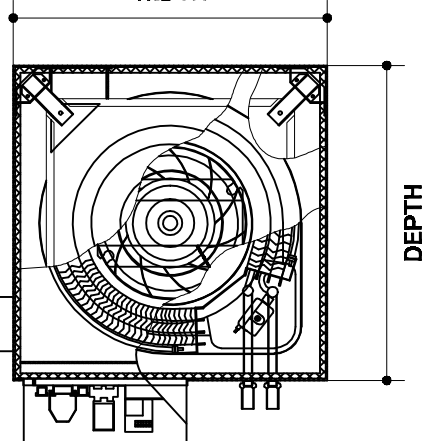
BRANCH DUCT
OPENING

FRESH AIR
OPENING



WIDTH

HEIGHT

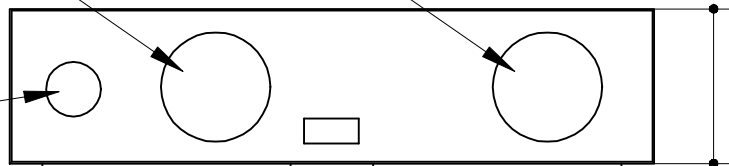


DEPTH

DFP400, DFP600

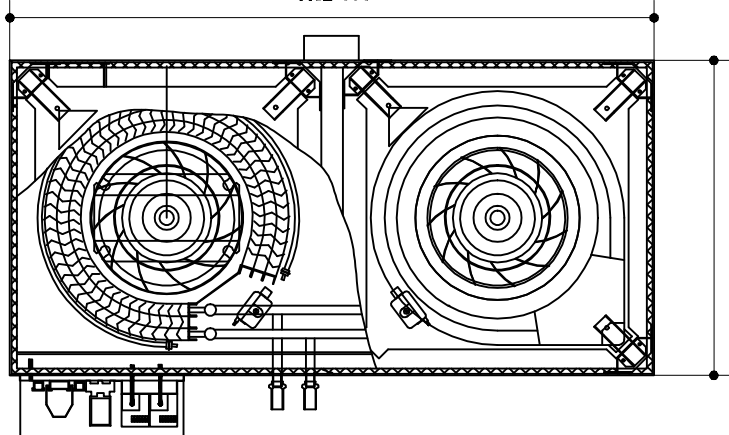
BRANCH DUCT
OPENING

FRESH AIR
OPENING



WIDTH

HEIGHT



DEPTH

DFP800, DFP1200, DFP1200S

MODEL NO	COOLING CAP KW	AIR FLOW L/S (NOM.)	DIMENSIONS (mm)			NUMBER OF		NET WT (kg)
			WIDTH	DEPTH	HEIGHT	FAN	MOTOR	
DFP400	3.9	240	580	580	287	1	1	47
DFP600	6.1	300	580	580	287	1	1	52
DFP800	7.9	470	1225	625	287	2	2	81
DFP1200	10.8	510	1225	625	287	2	2	87
DFP1200S	12.1	510	1225	625	287	2	2	94

NOTE : COOLING CAPACITIES BASED ON 7°C EWT / 12.5°C LWLT in KW

DFP

GJ.WALKER 2B GLASS ST RICHMOND
Ph(03)9429 9811
Air Handling Systems Fax(03)9429 1344