

HIDEAWAY FAN COIL UNITS



GENERAL DESCRIPTION

The Model CHH Fan Coil Unit is designed specifically to overcome the design resistance for a ceiling hideaway installation where there is a ducted application. CHH unit can provide about 150Pa external pressure. The unit is ideally suited for applications where high static pressures are required.

		CHH06	CHH08	CHH10	CHH12	CHH14	CHH16	CHH18	CHH20	CHH24	CHH30	CHH35	
COOLING CAPACITY 4 ROW (W)		6462	9154	11847	13896	15294	18644	20961	23161	27909	32956	37910	
WATER FLOW (L/Sec)		0.31	0.44	0.57	0.62	0.73	0.89	1.00	1.11	1.34	1.58	1.81	
WATER PRESSURE DROP (Kpa)		4.0	9.0	16.0	26.0	12.0	19.0	25.5	32.0	25.0	12.0	17.0	
FAN SECTION	TYPE	METAL, FORWARD-CURVED, CENTRIFUGAL FAN											
	NUMBER	1	1	1	2	2	2	2	2	2	2	2	
	AIR VOLUME (L/S)	280	400	520	570	670	760	850	940	1140	1440	1660	
	EXTERNAL PRESSURE	75 Pa with wet coil refer to table air flow											
MOTOR SECTION	TYPE	3-SPEED, SINGLE-PHASE PSC MOTOR											
	POWER SUPPLY	240V 50Hz											
	NUMBER	1	1	1	2	2	2	2	2	2	2	2	
	INPUT POWER (W)	210	330	400	450	570	750	840	860	1000	1190	1290	
COIL	TYPE	RIPPLED SURFACE ALUMINIUM FINS MECHANICALLY BONDED TO COPPER TUBES											
	ROW	Option: 3 row, 4 row, 6 row cooling + 1 row heating											
CONNECTION	COIL CONN.	20mm				25mm				32mm			
	DRAIN CONN.	20mm MPT											
NET WEIGHT (Kg)		30	35	41	55	62	68	74	81	90	94	98	

- Note:
1. Tabled values are standard air volume (l/s) with wet coil.
 2. The cooling capacities measure condition: DB=27°C, WB=19.5°C, water-in temperature=7°C, difference in temperature=5°C.

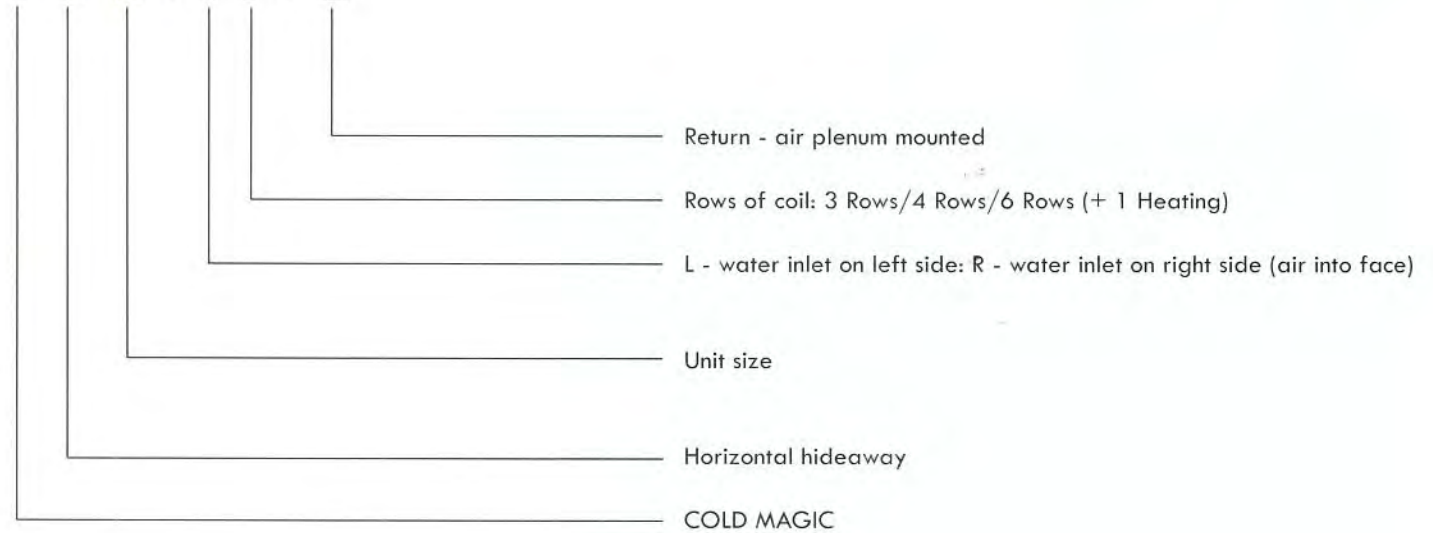
AIR DELIVERY

MODEL	L/S @ 0 EXTERNAL STATIC PRESSURE			HIGH-SPEED L/S						
	LOW	MEDIUM	HIGH	25Pa	50Pa	60Pa	75Pa	100Pa	125Pa	150Pa
CHH06	250	300	370	339	311	297	283	256	203	122
CHH08	300	410	500	467	433	419	401	364	321	256
CHH10	380	480	590	581	572	547	519	458	397	331
CHH12	400	520	670	628	606	583	567	500	449	372
CHH14	440	580	850	793	732	703	669	600	524	419
CHH16	490	650	960	892	826	793	760	689	604	472
CHH18	580	850	1010	986	921	888	854	789	708	571
CHH20	670	870	1050	1022	997	967	944	840	756	614
CHH24	910	1100	1360	1264	1200	1172	1139	1014	900	764
CHH30	1090	1320	1628	1578	1517	1481	1444	1289	1150	1036
CHH35	1190	1430	1770	1753	1717	1692	1661	1472	1331	1225

Note: Tabled values are standard air volume (l/s) with wet coil.

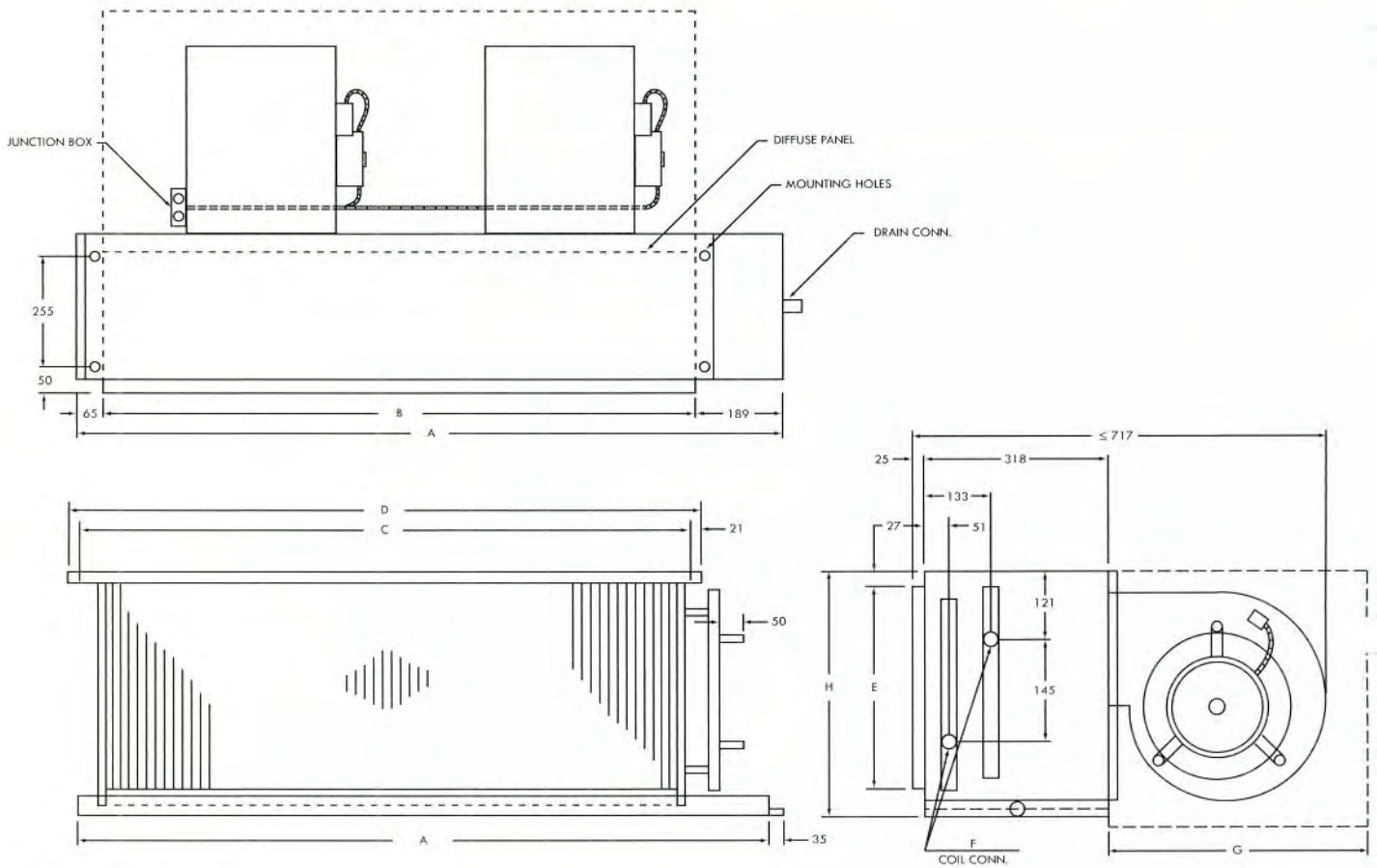
NOMENCLATURE

C HH 08 - R 4 - RP





DIMENSIONS



Note: Access panel required to service fan motor.

MODEL	DIMENSIONS (mm)								NUMBER OF		MIN. R.A. AREA (M ²)	NET WEIGHT (kg)
	A	B	C	D	E	F	G	H	FAN (S)	MOTOR (S)		
CHH06	610	356	424	466	342	20	450	417	1	1	0.15	30
CHH08	736	482	550	592	342	20	450	417	1	1	0.20	35
CHH10	838	584	652	694	342	20	450	417	1	1	0.24	41
CHH12	965	711	779	821	342	20	450	417	2	2	0.30	55
CHH14	1092	838	906	948	342	20	450	417	2	2	0.35	62
CHH16	1219	965	1033	1075	342	20	450	417	2	2	0.40	68
CHH18	1346	1092	1160	1202	342	20	450	417	2	2	0.45	74
CHH20	1448	1194	1262	1304	342	20	450	417	2	2	0.50	81
CHH24	1652	1398	1466	1508	342	20	450	417	2	2	0.56	90
CHH30	1702	1448	1516	1558	406	20	500	481	2	2	0.67	94
CHH35	1956	1702	1770	1812	406	20	500	481	2	2	0.73	98

COLD MAGIC CHILLED WATER CASSETTE TYPE FAN COIL UNITS

COMPACT AND EASY TO INSTALL

The DFP cassette designed matches well with standard 600 x 600mm and 600 x 1200mm ceiling panels without any modification. With a chasis height below 300mm to fit the false ceiling void and a 25mm thickness slim cover with 2, 3 or 4-way air discharges.

STANDARD FEATURES

- Low in-ceiling height
- Long air throw
- Low operating sound level
- High quality condensate pump
- Washable long life filter
- Float level sensor access panel
- Internally insulated drain tray
- 25mm thickness ultra slim fascia
- 2, 3 or 4-way air discharge capacity
- Branch and fresh air intake facilities



ACCESSORIES (OPTIONAL)

- Electric heater
- Low pressure hot water coil

PERFORMANCE DATA

MODEL	FAN SPEED	AIR FLOW (l/s)	SENSIBLE CAPACITY (kW)	TOATL CAPACITY (kW)	WATER FLOW (l/s)	NOISE LEVEL (NC/dBA)
DFP-400	LOW	160	2.29	3.19	0.138	35/41
	MEDIUM	210	2.72	3.76	0.166	38/45
	HIGH	240	2.86	3.93	0.166	44/50
DFP-600	LOW	190	3.17	4.42	0.194	36/42
	MEDIUM	240	3.76	5.21	0.222	39/46
	HIGH	300	4.47	6.14	0.277	45/51
DFP-800	LOW	280	4.03	5.62	0.222	38/44
	MEDIUM	380	4.98	6.91	0.276	44/49
	HIGH	470	5.71	7.86	0.332	47/54
DFP-1200	LOW	350	5.91	8.25	0.332	39/45
	MEDIUM	450	7.21	9.99	0.44	45/50
	HIGH	510	7.8	10.79	0.44	48/55
DFP-1200S	LOW	350	6.41	9.04	0.388	39/45
	MEDIUM	450	7.92	11.1	0.5	45/50
	HIGH	510	8.66	12.11	0.5	48/55

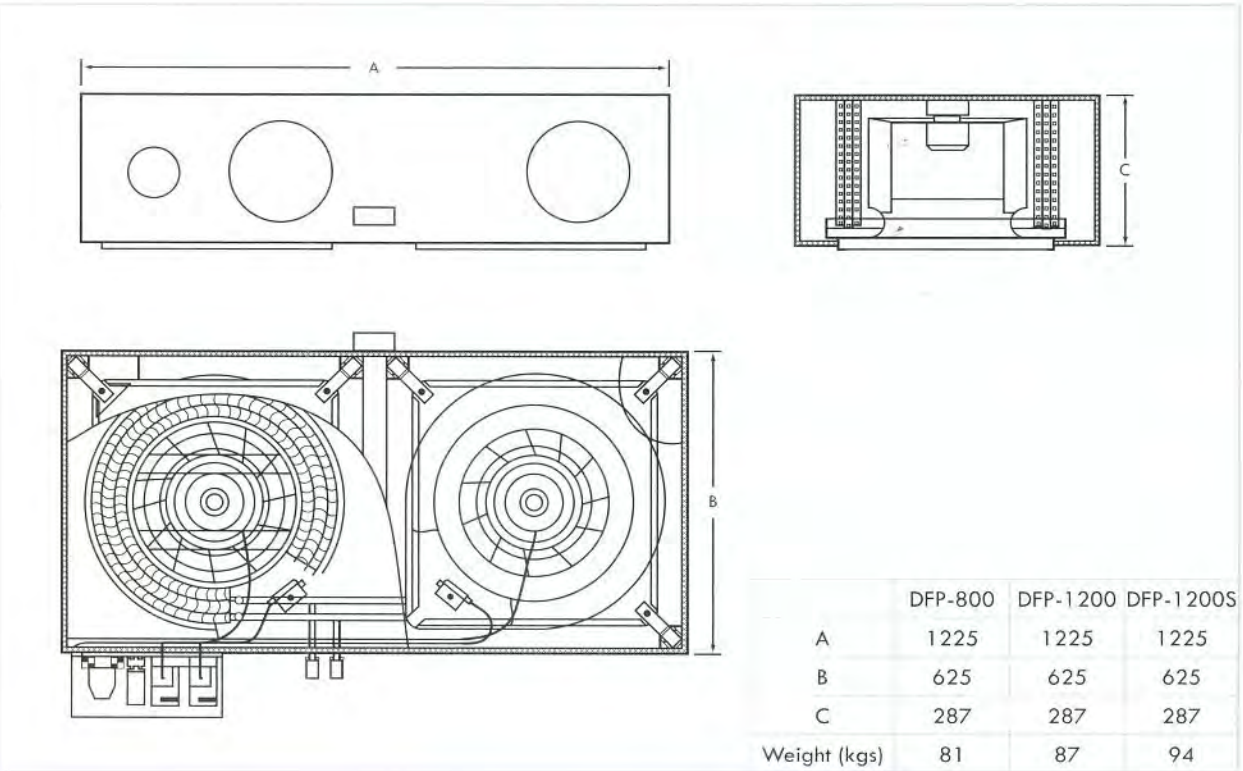
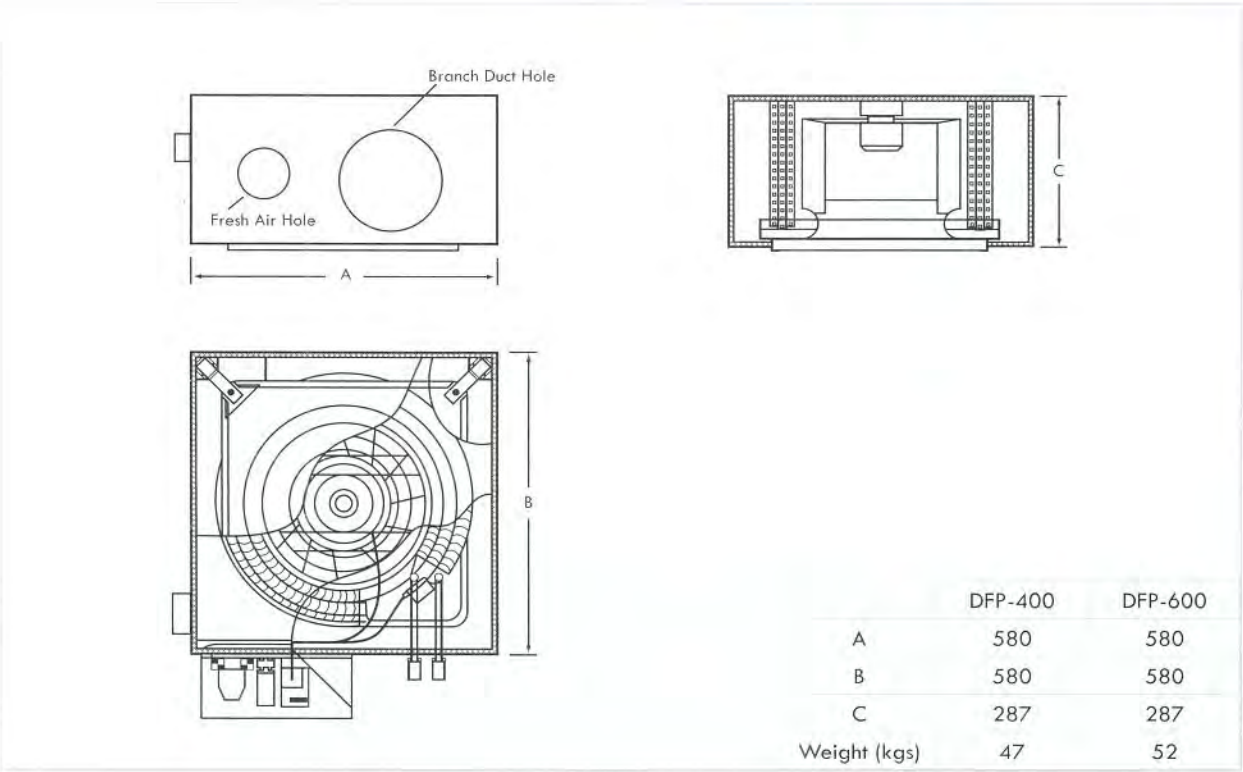
Note: Above data based on cooling capacity at 7°C EWT / 12.5°C LWT in kW.
 2 Rows for DFP-400 and 800 / 3 Rows for DFP-600, 1200 and 1200S.
 All noise level dta are based on readings at 1m down and 3m away from the unit.

ELECTRICAL DATA	DFP-400	DFP-600	DFP-800	DFP-1200	DFP-1200S
Motor Input (W)	40	51	92	102	102
Motor Current (Amp.)	0.191	0.209	0.421	0.438	0.438
Pump Input (W)	14	14	28	28	28
Pump Current (Amp.)	0.065	0.065	0.13	0.13	0.13
Power Supply (V/Ph/Hz)	220/1/50	220/1/50	220/1/50	220/1/50	220/1/50

PACKING DATA	DFP-400	DFP-600	DFP-800	DFP-1200	DFP-1200S
Unit Dimension (WxLxH)	745x650x325	745x650x325	745x1220x325	745x1220x325	745x1220x400
Cover Dimension (WxLxH)	385x685x110	685x685x110	685x685x110	685x1275x110	685x1275x110
Weight (kgs)	47	52	81	87	94

Note: Unit dimensional data in millimeters.
 All of the above data subject to change without prior notice.

DIMENSIONAL DATA CASSETTE TYPE FAN COIL UNITS



Note: All above data subject to change without prior notice.



LOCATION



The Cold Magic products are manufactured by Efatar Engineering, in Shunde, China. Since 2005 G.J. Walker has developed a close relationship with Efatar Engineering to bring the Cold Magic Units to Australia.

Manufacturing this range of units in China allows G.J. Walker to provide competitive prices to the Australian market whilst continuing to provide quality units built to ISO-9001 and EuroVent certified.



GJWALKER

AIR HANDLING SYSTEMS

G.J. Walker Pty Ltd
A.B.N. 96 100 717 173

VICTORIA

Gary & Damon Walker
2B Glass Street Richmond Victoria
P.O. Box 14 Richmond 3121
T: 03 9429 9811
F: 03 9429 1344
E: gary@gjwalker.com.au
damon@gjwalker.com.au

QUEENSLAND

Chris Rogerson
P.O. Box 8127 Cleveland 4163
T: 07 3821 3666
F: 07 3821 3661
M: 0438 716 610
E: chrisr_walker@bigpond.com

NEW SOUTH WALES

Barry Johnson
P.O. Box 244 Narrabeen 2101
T: 02 9984 9773
F: 02 9982 3662
M: 0407 707 138
E: walkersy@bigpond.net.au

Turner Engineering
A.B.N. 43 009 381 373

WESTERN AUSTRALIA

16 Gympie Way Willetton
WA 6155
P.O. Box 304 Willetton 6955
T: 08 9354 9599
F: 08 9354 9560
E: wa.info@turnerengineering.com.au