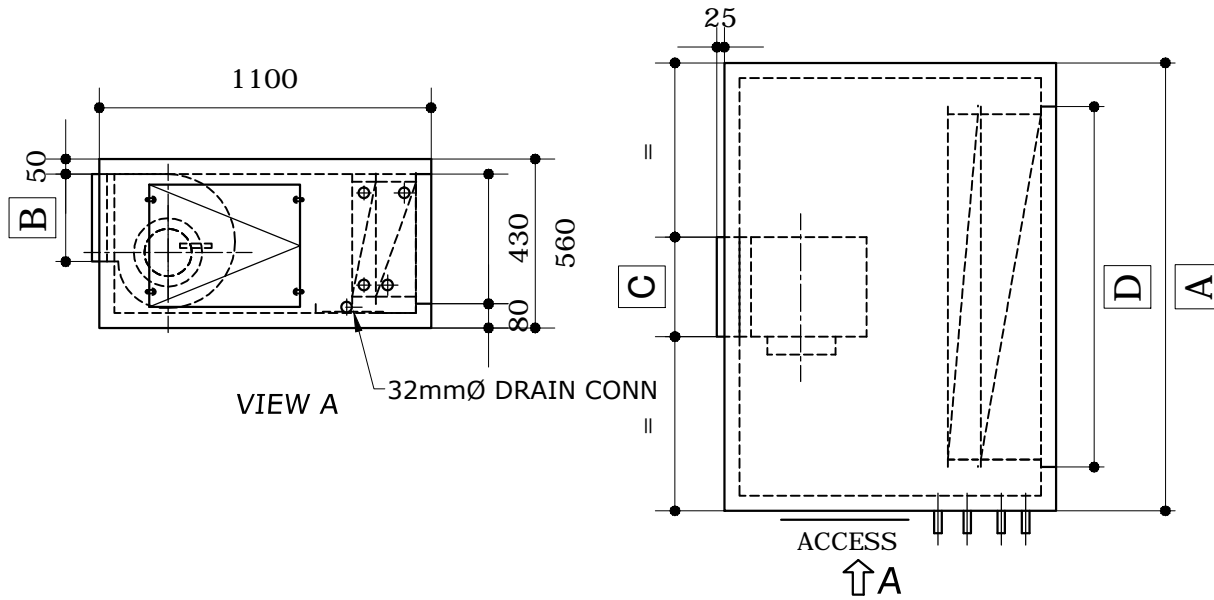
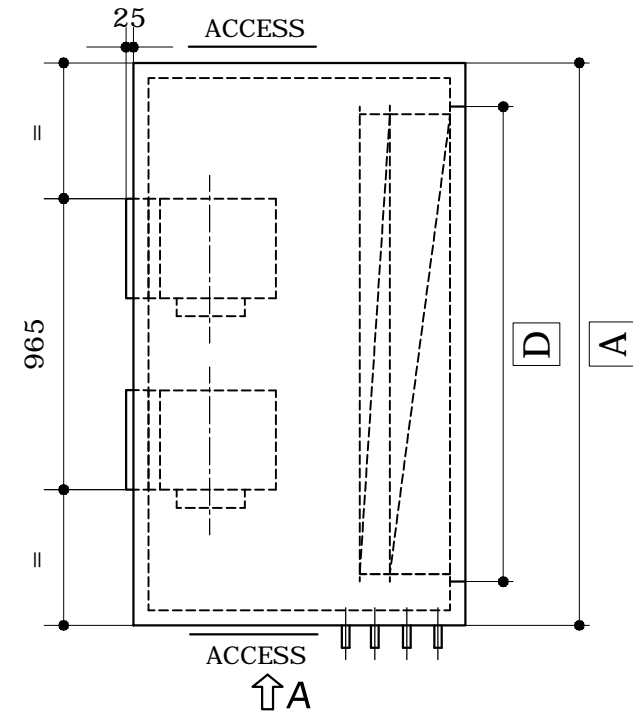


MODEL NO	AIRFLOW L/S (NOM.)	DIMENSIONS (mm)				NUMBER OF		NET WT (kg)
		A	B	C	D	FAN	MOTOR	
ALHS 5	500	950	260	230	660	1	1	115
ALHS 7	700	1180	260	300	890	1	1	130
ALHS 10	1000	1485	290	330	1195	1	1	165
ALHS 15	1500	1865	290	965	1575	2	2	200
ALHS 20	2000	2300	290	965	2030	2	2	255



ALHS 5, ALHS 7, ALHS 10



ALHS 15, ALHS 20

ALHS

G.J. WALKER 6-10 SOUFFI PLACE
DANDENONG STH, VIC 3175
Ph (03) 9706 6313
Air Handling Systems Fax (03) 9706 6232