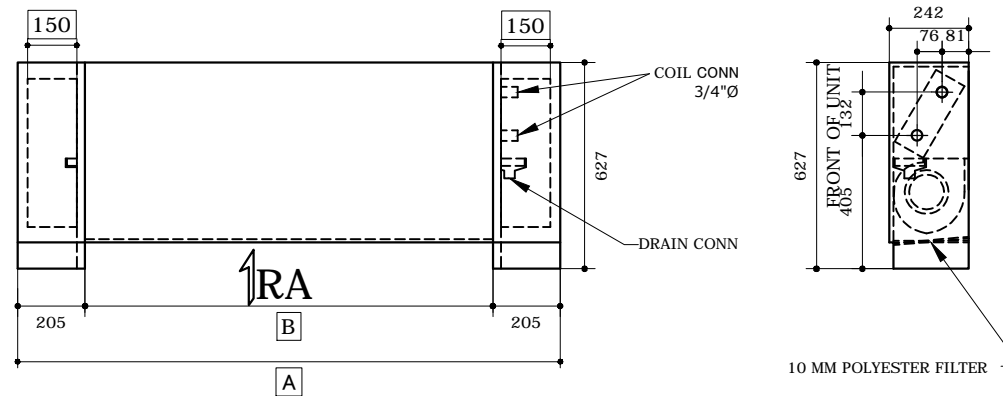
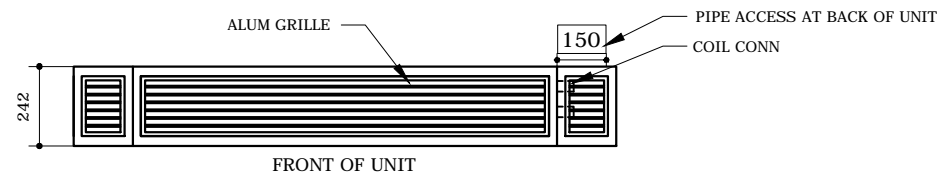


MODEL NO	AIR FLOW L/S (NOM)		DIMENSIONS (mm)		NUMBER OF		NET WT (kg)
	HS	LS	A	B	FAN	MOTOR	
CFFC 300	210	170	980	570	1	1	30
CFFC 400	320	270	1230	820	2	1	37
CFFC 600	380	330	1365	955	2	1	40
CFFC 800	490	400	1650	1240	2	1	44
CFFC 1000	570	500	1845	1435	3	2	54
CFFC 1200	720	640	2095	1685	4	2	62
CFFC 1400	870	730	2275	1865	4	2	67

NOTE : HS - HIGH STATIC MODEL, LS - LOW STATIC MODEL



CFFC

G.J. WALKER 6-10 SOUFFI PLACE
 DANDENONG STH, VIC 3175
 Ph (03) 9706 6313
 Air Handling Systems Fax (03) 9706 6232