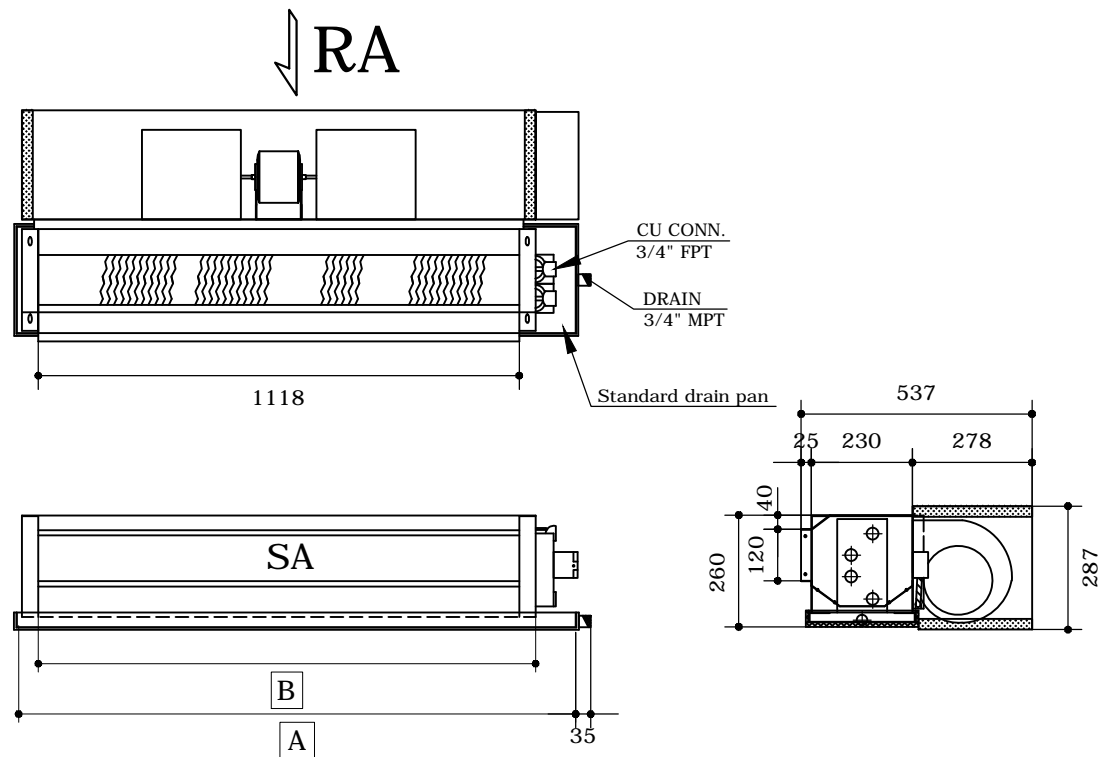


MODEL NO	AIR FLOW L/S (NOM)		DIMENSIONS (mm)		NUMBER OF		NET WT (kg)
	HS	LS	A	B	FAN	MOTOR	
CFP 300	210	170	715	534	1	1	21
CFP 400	320	270	890	710	2	1	23
CFP 600	380	330	1020	838	2	1	25
CFP 800	490	400	1300	1118	2	1	29
CFP 1000	570	500	1476	1295	3	2	37
CFP 1200	720	640	1730	1550	4	2	43
CFP 1400	870	730	1910	1728	4	2	46

NOTE : HS - HIGH STATIC MODEL, LS - LOW STATIC MODEL



CFP

G.J. WALKER 6-10 SOUFFI PLACE
 DANDENONG STH, VIC 3175
 Ph (03) 9706 6313
 Air Handling Systems Fax (03) 9706 6232