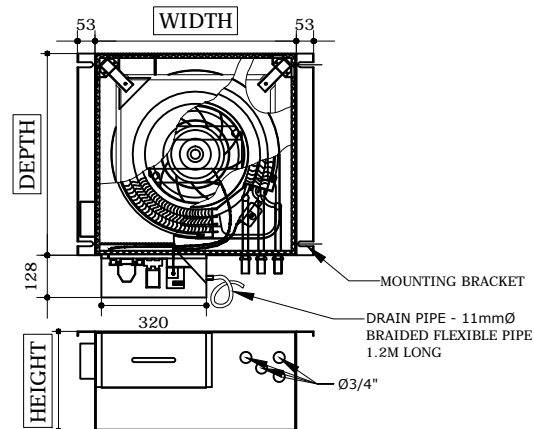
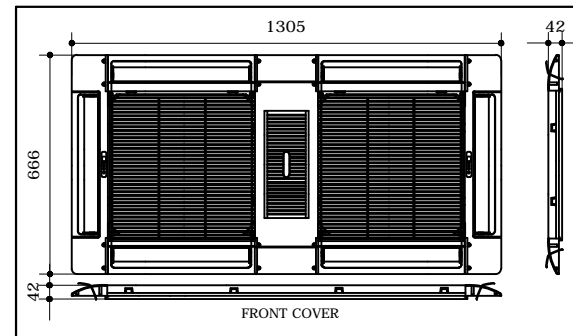
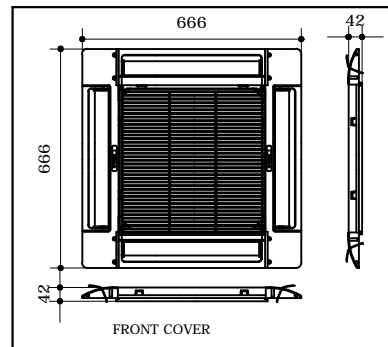
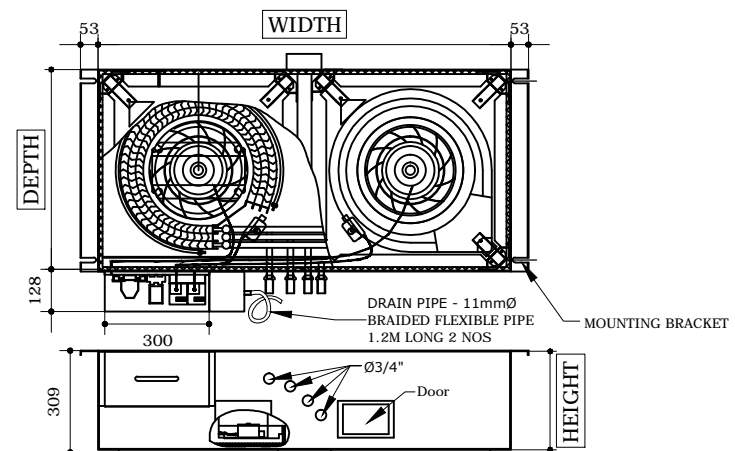


MODEL NO	COOLING CAP KW	AIR FLOW L/S (NOM.)	DIMENSIONS (mm)			NUMBER OF		NET WT (kg)
			WIDTH	DEPTH	HEIGHT	FAN	MOTOR	
DFP 400	3.9	240	574	576	290	1	1	47
DFP 600	6.1	300	574	576	290	1	1	52
DFP 800	7.9	470	1178	576	290	2	2	81
DFP 1200	10.8	510	1178	576	290	2	2	87

NOTE : COOLING CAPACITIES BASED ON 7°C EWT / 12.5°C LWT in KW



DFP400, DFP600



DFP800, DFP1200

# DFP

**G.J. WALKER** 6-10 SOUFFI PLACE  
DANDENONG STH, VIC 3175  
Ph (03) 9706 6313  
Air Handling Systems Fax (03) 9706 6232